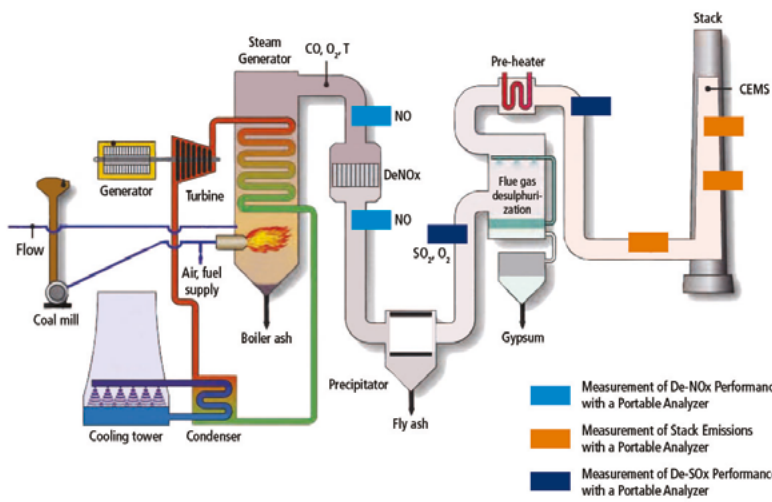


TESTING THE PERFORMANCE OF A DE-NOx SYSTEM USING A PORTABLE EMISSIONS ANALYZER

The majority of power plants utilize NOx reduction systems (eg. Ammonia Injection, SCR, etc.) in their power boilers to ensure that the NOx emissions levels comply with current regulations. The frequent evaluation of the De-NOx system is fundamental to indentifying the adjustments necessary for an optimal and most cost ecient operation.



Many power plants use CEMS (Continuous Emissions Monitors) to analyze the total emissions being released from the stack of the power boiler. This information alone is not sufficient to pinpoint any deficiencies in the De-NOx system.

Portable NOx emissions analyzers can be used to accurately measure the efficiency of the De-NOx system. These portable analyzers can provide multiple emissions analyses throughout the combustion process including before and after the introduction of the NOx reductants to allow technicians to achieve maximum NOx reduction.

Instrumentation Solution: [Our Portable Emissions Analyzers](#)